


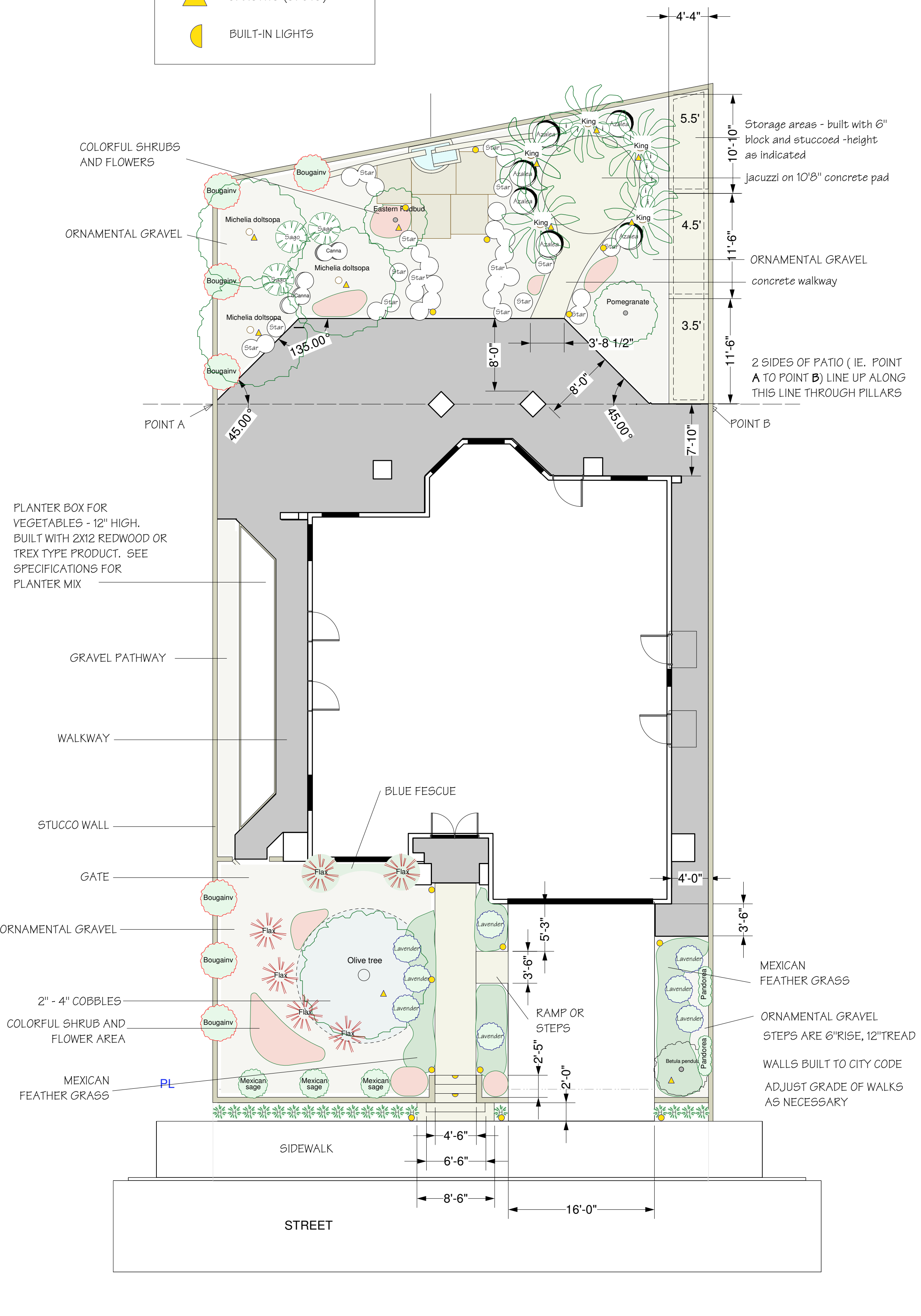
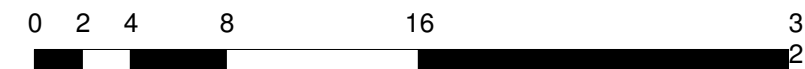
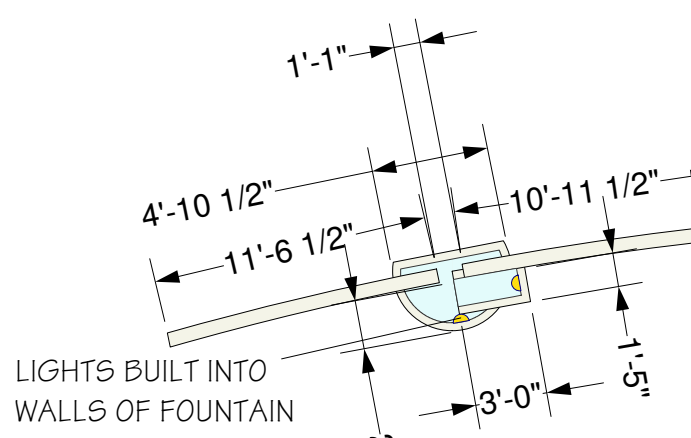


LIGHTING KEY

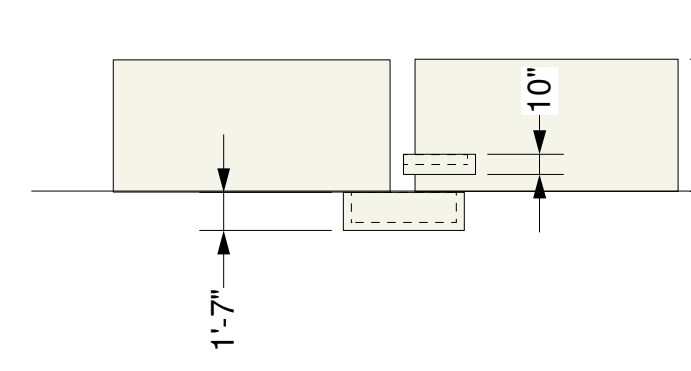
-  AREA LIGHTS
-  UPLIGHTS (SPOTS)
-  BUILT-IN LIGHTS



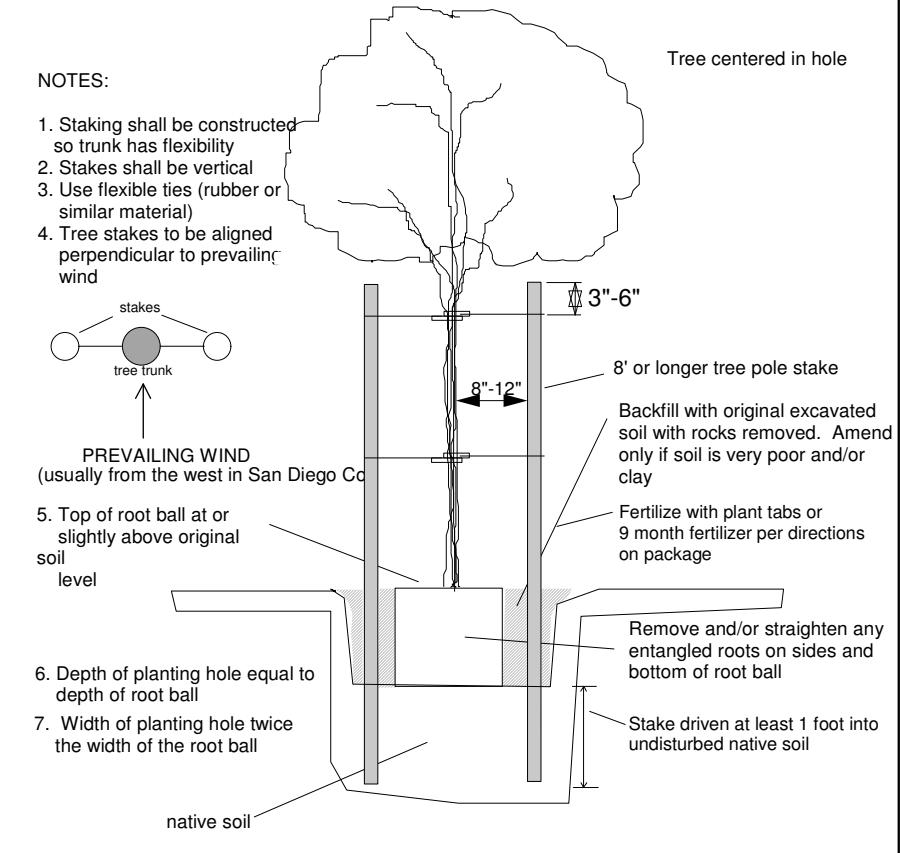
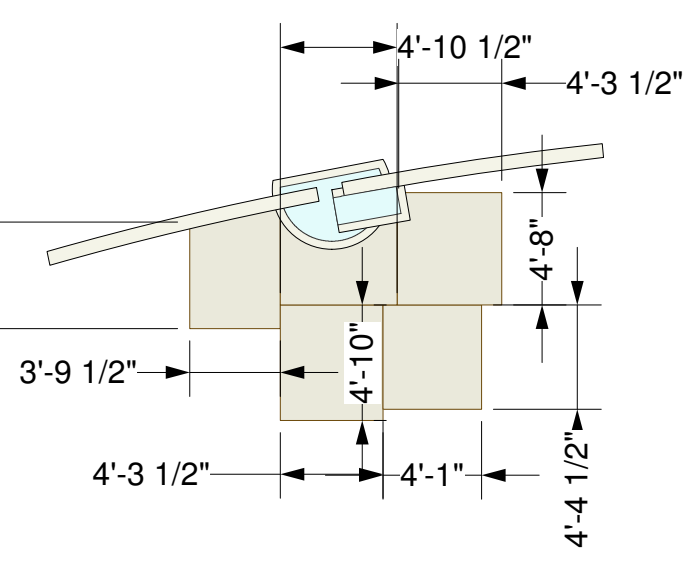
FOUNTAIN DETAIL - TOP



FOUNTAIN DETAIL - FRONT



PATIO DETAIL



TREE, PALM, AND SHRUB PLANTING AND STAKING detail

Nursery name	Common name	Optimum elze
Archontophoenix cunninghamiana	King palm	5' trunk
Azalea Duc de Rohan	Azalea	5 gallon
Azalea Fielder's white	Azalea	5 gallon
Betula pendula	White birch	15 gallon
Bougainvillea San Diego	Red bougainvillea	5 gallon
Canna Tropicana and other hybrids	Orange canna lily	2 gallon
Cercia canadensis	Eastern Redbud	24" box
Cycas revoluta	Sago palm	15 gallon
Equisetum hyemale	Horsetail	1 gallon
Festuca ovina glauca	Blue fescue	1 gallon
Impatiens New Guinea Hybrids	New guinea impatiens	1 gallon
Lavandula dentata	French lavender	1 gallon
Michelia doltsopa	Michelia	15 gallon
Olea europaea	Olive	24" box
Pandorea jasminoides rosea	Pandorea	5 gallon
Phormium tenax Rubrum	Red flax	5 gallon
Punica granatum	Pomegranate	5 gallon
Salvia leucanthemum	Mexican sage	1 gallon
Stipa tenuissima	Mexican feather grass	1 gallon
Trachelopernum jasminoides	Star jasmine	1 gallon
Interesting flowers and flowering shrubs		
Agapanthus africanus Peter Pan	Dwarf blue lily of the Nile	1 gallon
Anigozanthos flavidus	Kangaroo paw	1 gallon
Cerastium tomentosum	Snow in summer	six pack
Ceratostigma plumbaginoides	Dwarf plumbago	1 gallon
Cuphea hyssopifolia Rosea	False heather	1 gallon
Epidendrum obrienianum	Reed stemmed orchid	1 gallon
Erigeron karwinskianus	Santa Barbara daisy	1 gallon
Geranium incanum	Purple species geranium	1 gallon
Hemerocallis hybrids esp. Orange King	Orange day lily	1 gallon
Lavandula pinnata	Lavender	1 gallon
Limonium perzli	Statice	1 gallon
Mandevilla Alice du Pont	Mandevilla	1 gallon
Nemesia fruticans Purple	Miniature snapdragon	1 gallon
Orchis various species	Orchid	1 gallon
Pelargonium peltatum blizzard series	Ivy geranium	1 gallon
Pentas lanceolata	Starflower	1 gallon
Plumeria rubra	Plumeria	5 gallon
Rosa sp	Rose	5 gallon
Rosmarinus officinalis Collingwood Ingram	Rosemary bush	1 gallon
Rosmarinus officinalis Tuscan Blue	Rosemary	1 gallon
Rosmarinus prostratus	Trailing Rosemary	1 gallon
Salvia greggi	Salvia greggi	1 gallon
Scaevola Mauve clusters	Scaevola	1 gallon
Sutera white	White bacopa	1 gallon
Tagetes lemmonii	Marigold bush	1 gallon
Tulbaghia violacea - green leaf	Society garlic	1 gallon

SPECIFICATIONS

ORNAMENTAL GRAVEL - USE 50% - 1/2" BIRDEYE GRAVEL AND 50% - 1/4" BIRDEYE GRAVEL (FROM KRC ROCK)- APPROXIMATELY 1/2" DEEP IN AREAS DESIGNATED. FOR BETTER COVERAGE UNDERLAY WITH 1/2" OF ROUGH TAN/GOLD DECOMPOSED GRANITE (ALSO FROM KRC ROCK)

ELECTRICAL
INSTALL 120V ELECTRICAL LINE TO FOUNTAIN. BOX TO BE 1 FOOT BEHIND FOUNTAIN AND BOTTOM OF BOX 6" ABOVE GRADE WITH WATERPROOF BUBBLE COVER AND GFI.
INSTALL TRANSFORMERS FOR 12 V LIGHTING AND RUN WIRES FOR LIGHTING AS SHOWN ON PLAN.

LIGHTING
INSTALL 12V LIGHTING FIXTURES AS SHOWN ON PLAN. USE CODE ON PLAN FOR AREA LIGHTING AND UPLIGHTING.

FOUNTAIN
MEXICAN BEACH COBBLES IN BOTTOM OF RESEVOIR COVERING THE PUMP.
BUBBLE COVERED WATERPROOF RECEPTACLE BEHIND FOUNTAIN.
PUMP WIRE EXITS THROUGH DRILLED AND SEALED HOLE AND PLUGS (OR HARDWIRED) INTO 120 V BUBBLE COVERED WATERPROOF RECEPTACLE BEHIND FOUNTAIN.
BUILT OF 4" CONCRETE BLOCK ON FOUNDATION WITH REBAR VERTICAL AND BLOCK FILLED WITH CONCRETE.
INSIDE AND BOTTOM CONCRETED, WATERPROOFED AND FINISHED.
LIPS OF SPILLWAYS TO BE CONSTRUCTED OF METAL OR MASONRY SO THAT WATER SPILLS OUT IN A 6" STREAM OF WATER ARCHING OUT FROM VERTICAL SURFACE OF FOUNTAIN. ALL POOLS EXTEND TO GROUND LEVEL.

CONNECTING VINES TO FENCES AND ARBORS
TRAIN VINES ONTO FENCE WITH #6-#8 EYEGREWS WITH 3/4" SHANK AND PLASTIC TIES. FAN PLANTS ACROSS FENCE.

SOIL
SOIL FOR GRADING AND BEDS: SAN DIEGO SELECT
POTTING MIX FOR POTS: GOLD CUP PRIZE WINNING SOIL BY BUTLERS MILLS INC. 6-10725-40200-5
FROM MISSION HILLS NURSERY OR OTHER SOURCE.

IRRIGATION
GENERAL GUIDELINES FOR IRRIGATION
USE DRIP IRRIGATION
LIVE WATER LINE TO ALL VALVES SHOULD NOT EXCEED 55 POUNDS

DRIP IRRIGATION
VALVES: MUST BE LOW FLOW = .2 GPM MINIMUM FLOW CAPABILITY
PRESSURE REGULATOR ON EACH VALVE = SENNINGER LO-FLOW, 20 PSI Y FILTER ON EACH VALVE
1/2 INCH DRIP TUBING BURIED 3" DEEP. EROSION STAPLES EVERY 3-5' RAINBIRD 1 OR 2 GPH EMITTERS INSTALLED INTO 1/2 INCH TUBING
1/4 INCH "SPAGHETTI" TUBING FROM EMITTER TO SURFACE
CAPPED AT END WITH BUG CAP AND STAKED IN PLACE
FLUSH WITH GROUND ON ROOT BALL OF PLANT
NOT AGAINST TRUNK OF PLANT

PATIO
4" CONCRETE ON 2-4" BASE ROCK.
REBAR IN CONCRETE 18" O.C.
CONCRETE GRADE 1/2" ABOVE GARDEN AND LAWN.
SURFACE FINISH : STAMPED CONCRETE, OPEN PATTERN. COLOR: AS DECIDED BY CLIENT

WALLS
REFER TO "CITY OF SAN DIEGO DEVELOPMENT SERVICES INFORMATION BULLETIN 223-SPECIFICATIONS FOR WOOD AND MASONRY FENCES" FOR CONSTRUCTION SPECIFICATIONS.

LOCATIONS OF PROPERTY LINES AND SETBACKS HAVE NOT BEEN VERIFIED. OWNER OR CONTRACTOR WILL CONTACT SAN DIEGO CITY DEVELOPMENT SERVICES DEPARTMENT FOR REQUIRED INFORMATION REGARDING THE CONSTRUCTION AND SITING OF WALLS AND OTHER LANDSCAPE FEATURES AND ENSURE THAT ALL WORK CONFORMS TO THE SAN DIEGO MUNICIPAL CODE.

Schlosser Residence San Diego, California Fall 2005	619-241-5091	Scale 1 inch = 8 feet
	Balin Butler Design	Drawing No. 1 of 1
Landscape Plan	4384 Cleveland Ave., San Diego, CA. 92103 balin@balinButler.com www.balinButler.com	